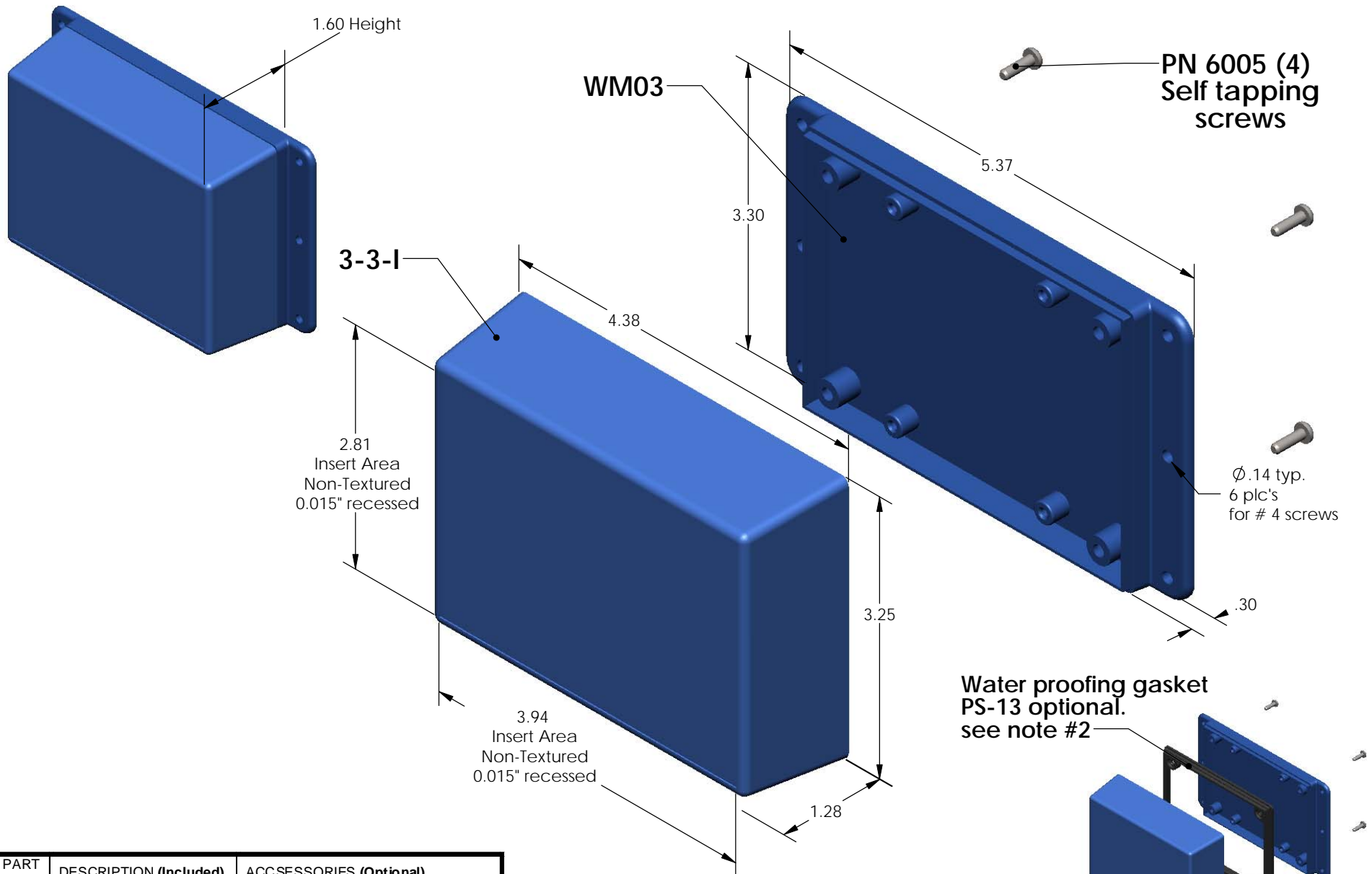


# SERPAC WM033-I (exploded isometric)

Electronic Enclosures



PART NO.	DESCRIPTION (Included)	ACCESSORIES (Optional)	
3-3-I	TOP	PART NO.	DESCRIPTION
WM03	BOTTOM	50	Non-skid Feet
6005	#4 self tapping screw (4)	PS-13	Perimeter Seal

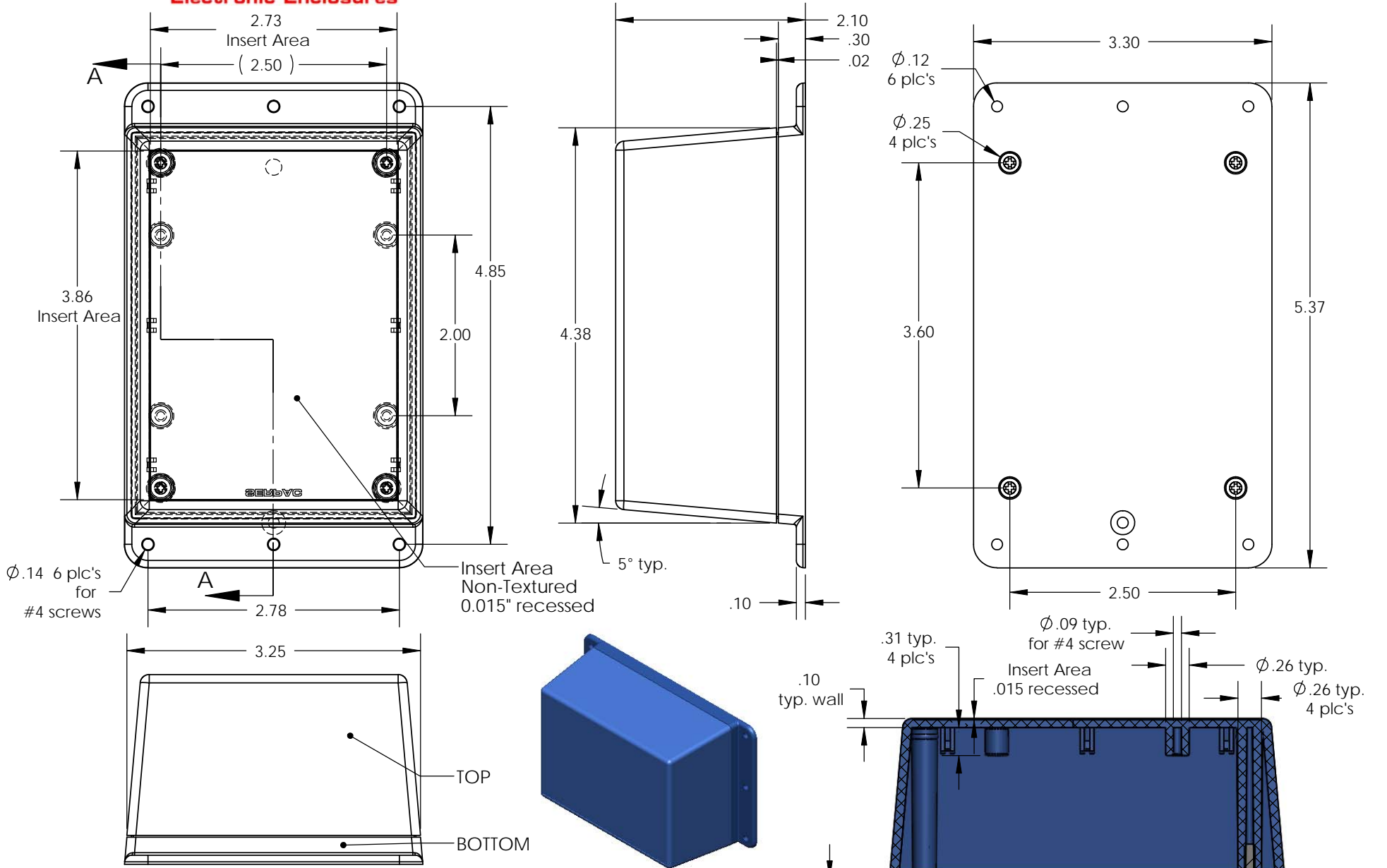
Notes:

- 1) Enclosure meets or exceeds IP40 and NEMA 1
- 2) When used with PS-13 the enclosure meets or exceeds IP 67 and NEMA 4X, 12 and 13 MIL-STD-810G 506.5
- 3) Circuit Board drawings can be download at: [http://www.serpac.com/Products/Sseries/x3x/drawings/X33\\_top-CB.pdf](http://www.serpac.com/Products/Sseries/x3x/drawings/X33_top-CB.pdf)
- 4) All components are RoHS Compliant.

ALL DIMENSIONS ARE ± .010" 6/01/09 (1 of 2)  
 619 Commercial Ave. Covina, CA 91723  
 Ph. (626) 331-0517 Fx. (626) 331-8584 serpac.com

# SERPAC WM033-1 (user print)

Electronic Enclosures



PART NO.	DESCRIPTION (Included)	ACCESSORIES (Optional)	
		PART NO.	DESCRIPTION
3-3-1	TOP	50	Non-skid Feet
WM03	BOTTOM	PS-13	Perimeter Seal
6005	#4 self tapping screw (4)		

- Notes:
- 1) Enclosure meets or exceeds IP40 and NEMA 1
  - 2) When used with PS-13 the enclosure meets or exceeds IP 67 and NEMA 4X, 12 and 13 MIL-STD-810G 506.5
  - 3) Circuit Board drawings can be download at: [http://www.serpac.com/Products/Sseries/x3x/drawings/X33\\_top-CB.pdf](http://www.serpac.com/Products/Sseries/x3x/drawings/X33_top-CB.pdf)
  - 4) All components are RoHS Compliant.

ALL DIMENSIONS ARE  $\pm .010"$  6/01/09 (2 of 2)  
 619 Commercial Ave. Covina, CA 91723  
 Ph. (626) 331-0517 Fx. (626) 331-8584 www.serpac.com